

# 6 F(I '9I FC SERIES

% ]b 'FUW\_g'Dck Yf'GmghYa g: &\$\$'r '&) \$\$ Watts



## Features

- 200W, 300W and 500W Plug-in Rectifier Modules
- Industrial grade design
- 200W modules 3U x 14HP x 220mm
- 300W and 500W modules 4U x 16HP x 304mm
- Input - output fully isolated
- Overload and overvoltage protection
- **N+1** Redundancy/parallel operation
- Any output from 12 - 130VDC possible
- Suitable for a wide range of industrial applications
- EMC EN55022 Class A
- Battery charging options

## General Specifications

<b>Input Voltage:</b>	115/240VAC (link selectable)
<b>Input Protection:</b>	Inrush current limiting and input fuse
<b>Isolation:</b>	Input - Output 3750VDC
<b>Efficiency:</b>	Model dependant, typically 80%
<b>Output Voltage:</b>	See tables (any voltage from 12 - 130V)
<b>Output Power:</b>	Modules: 200W, 300W and 500W 3U Rack up to 6 x 200W modules 4U Rack up to 5 x 300W or 500W modules
<b>Voltage Adjustment:</b>	±5% (front panel adjustment) Other options on request
<b>Regulation:</b>	Line: ±1% Load: ±2%
<b>Output Protection:</b>	Over voltage protection Current limiting and short circuit protection Thermal shutdown
<b>EMI:</b>	EN55022 Class A
<b>Immunity:</b>	EN61000-4
<b>Operating Temp:</b>	0°C to 50°C at full load Derate 2.5% per°C from 50°C to 70°C
<b>Cooling:</b>	Convection cooled
<b>Parallel:</b>	Modules with built-in isolation diode for parallel and N+1 redundancy operation
<b>Alarm:</b>	Optocoupler alarm on modules DC Fail Alarm (voltage free contacts on Rack)
<b>Indicators:</b>	LED on front panel Test points on front panel
<b>Connections:</b>	DIN4162-H15 modules Screw terminals on rear of Rack
<b>Dimensions &amp; Weight:</b>	ELO53: 3U x 14HP x 220mm      2Kg LOT65/HBC419: 4U x 16HP x 304mm      2.6Kg

## Description

The **EOL** and **HBC** series AC/DC power supply is an Industrial Grade product, specially designed for 3U and 4U x 19in Rack Power Systems, with a number of power supply modules connected in parallel.

The rack power systems are fully assembled and configured to customer specifications for voltage and power requirements. Each module is a Plug-in unit, able to be inserted or removed from the rack without interruption to the power.

The 3U x 19in Rack can take up to 6 x 200W modules and the 4U x 19in Rack can take up to 5 x 300W or 500W modules in parallel.

Best suited to powering critical loads where continuous power is required, in addition, systems can be designed with battery back-up and various alarms.

Furthermore, a number of racks can be connected in parallel for high power systems.

## Options

**Output Voltage:** For special voltage outputs, consult office.

**Rack Systems:** Power Systems with meters and distribution breakers.

**Ruggedising:** Modules can be supplied with conformal coating of PCBs and a high level of ruggedisation for harsh environments.

Model	Output Voltage Options V	Maximum Output A	Power W
EOL53	12-125V	16A	200W
LOT65	12-125V	25A	300W
HBC419	12-125V	20A	500W

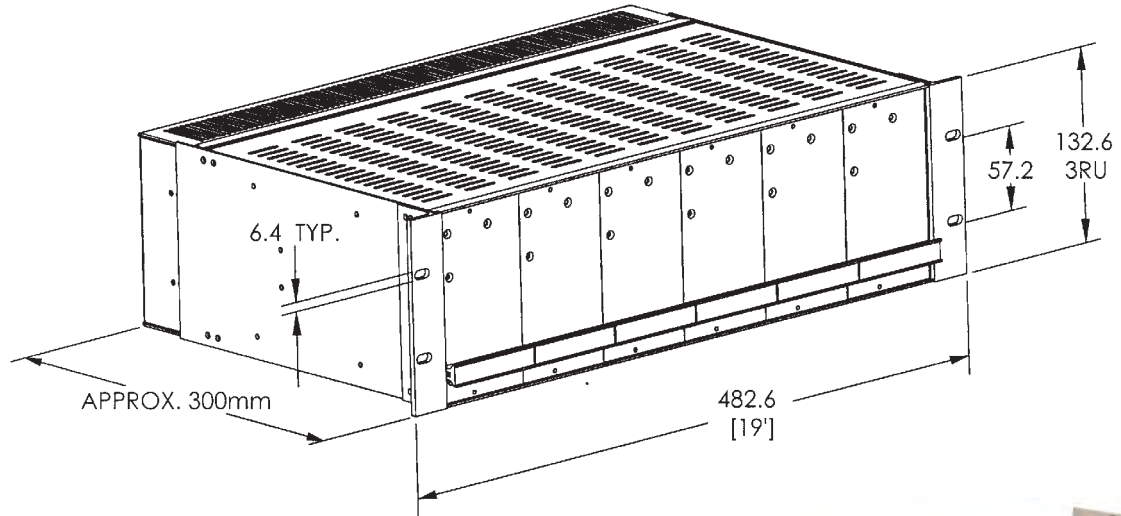
## Model Selection:

1. Any out voltage is possible within the range of 12 - 130V
2. Input and output voltage settings are customer specified and factory set.
3. Output current must not exceed the maximum indicated.
4. Part number will be allocated at the time of order.
5. A number of units can be connected in parallel for increased power and N+1 redundancy applications - option.

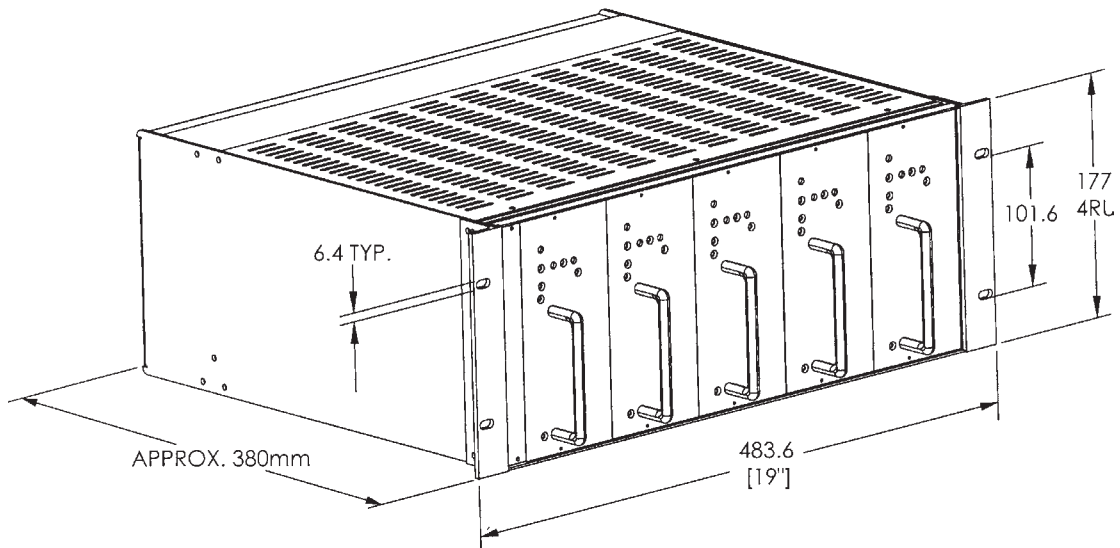
# 6 F(I '9I FC SERIES

% ]b'FUW\_g'Dck Yf'GmghYa g: &\$\$'r' &) \$\$ Watts

## 3U x 19in Rack Systems (Using 200W modules)



## 4U x 19in Rack System (Using 300/500W modules)



# EOL53 SERIES

AC/ DC Power Supplies: 200 Watts



## Features

- Plug-in ( Eurocard ) module 200 watts
- Convection cooled: No fans
- Rugged, industrial quality design
- Over voltage protection
- Overload and short circuit protection
- MTBF > 140,000hrs
- Specials output voltage options
- Any output from 5 ~ 125vdc possible
- **N+1** Redundancy Applications – option
- Output DC Fail alarm -Option
- Battery Charging applications - Option

## General Specifications

<b>Input Voltage</b>	115 /230VAC ( ±15% ) Selection by internal link ( set for 240VAC ) Other voltages on request
<b>Frequency</b>	47 – 63Hz
<b>Input Protection</b>	Inrush current limiting Varistor Internal safety fuse
<b>Isolation</b>	Input - Output 4300vdc Input – Chassis 2250vdc Output – Chassis 500vdc
<b>Efficiency</b>	Model dependent , typically 80%
<b>Output voltage</b>	5 ~ 125V options
<b>Output Power</b>	200 watts
<b>Parallel Operation</b>	Optional
<b>Voltage adjustment</b>	Customer specified, typically 5%
<b>Regulation</b>	Output voltage dependant Typically: ±3-5%
<b>Output Protection</b>	Over voltage protection Constant Current limiting & short circuit protection
<b>EMI</b>	EN55022 class A
<b>Immunity</b>	EN61000-4
<b>Shock &amp; Vibration</b>	Designed to meet IEC61373 Cat 1 A & B
<b>Operating Temp.</b>	0°C to +50°C at full load. +70°C at 50% load.
<b>Cooling</b>	Convection cooled
<b>Dimensions</b>	3U x 14HP x 220mm Eurocard 1.2kg

## Description

The **EOL53** Series Industrial AC/DC power supplies, is mainly intended for use with 19in Rack Systems, where Plug-in modules offer the flexibility to replace modules, while the system is operational.

Cooling is by natural convection for optimum performance....no fans and best suited to industrial applications, where reliability of the system is paramount.

Optional ruggedizing & conformal coating is available, for immunity to shock, vibration, humidity, moisture, dust and insects.

In addition, a range of options are available, allowing customers total flexibility to specify a unit that is specific to their application.

## Options

<b>Output Voltage</b>	Special voltage output, up to 125VDC
<b>Alarm</b>	Voltage Free contacts
<b>N+1 Redundancy</b>	Output redundancy diode for parallel operation
<b>Rack mount</b>	Various 19in Rack mount options

## Part No Configuration:

**EOL53-E/48-EH** ( 240VAC / 48V 200W )

Series / Power	Input V	Output V /A		EH	Options
<b>EOL53</b>	<b>E</b> = 240VAC	5	25A	<b>EH</b> = Eurocard	Factory Assigned No.
		12	16A		
		24	8A		
		30	6.6A		
		48	4A		
		60	3.3A		
		72	2.7A		
		110	1.8A		
125	1.6A				

- Output voltage is customer specified, together with any special options / features.

# LOT65 SERIES

AC/ DC Power Supplies: 300 Watts



## Features

- Plug-in ( Eurocard ) module 300 watts
- Convection cooled: No fans
- Rugged, industrial quality design
- Over voltage protection
- Overload and short circuit protection
- MTBF > 140,000hrs
- Specials output voltage options
- Any output from 12 ~ 125vdc possible
- **N+1** Redundancy Applications – option
- Output DC Fail alarm -Option
- Battery Charging applications - Option

## General Specifications

<b>Input Voltage</b>	115 /230VAC ( ±15% ) Selection by internal link ( set for 240VAC ) Other voltages on request
<b>Frequency</b>	47 – 63Hz
<b>Input Protection</b>	Inrush current limiting Varistor Internal safety fuse
<b>Isolation</b>	Input - Output 4300vdc Input – Chassis 2250vdc Output – Chassis 500vdc
<b>Efficiency</b>	Model dependent , typically 80%
<b>Output voltage</b>	12 ~ 125V options
<b>Output Power</b>	300 watts
<b>Parallel Operation</b>	Optional
<b>Voltage adjustment</b>	Customer specified, typically 5%
<b>Regulation</b>	Output voltage dependant Typically: ±3-5%
<b>Output Protection</b>	Over voltage protection Constant Current limiting & short circuit protection
<b>EMI</b>	EN55022 class A
<b>Immunity</b>	EN61000-4
<b>Shock &amp; Vibration</b>	Designed to meet IEC61373 Cat 1 A & B
<b>Operating Temp.</b>	0°C to +50°C at full load. +70°C at 50% load.
<b>Cooling</b>	Convection cooled
<b>Dimensions</b>	4U x 16HP x 305mm Eurocard 2.2kg

## Description

The **LOT65** Series Industrial AC/DC power supplies, is mainly intended for use with 19in Rack Systems, where Plug-in modules offer the flexibility to replace modules, while the system is operational.

Cooling is by natural convection for optimum performance...no fans and best suited to industrial applications, where reliability of the system is paramount.

Optional ruggedizing & conformal coating is available, for immunity to shock, vibration, humidity, moisture, dust and insects.

In addition, a range of options are available, allowing customers total flexibility to specify a unit that is specific to their application.

## Options

<b>Output Voltage</b>	Special voltage output, up to 125VDC
<b>Alarm</b>	Voltage Free contacts
<b>N+1 Redundancy</b>	Output redundancy diode for parallel operation
<b>Rack mount</b>	Various 19in Rack mount options

## Part No Configuration:

**LOT65-E/48-EH** ( 240VAC / 48V 300W )

Series / Power	Input V	Output V /A		EH	Options
<b>LOT65</b>	<b>E</b> = 240VAC	12	25A	<b>EH</b> = Eurocard	Factory Assigned No.
		24	12.5A		
		30	10A		
		48	6.25A		
		55	5.4A		
		60	5A		
		72	4.1A		
		110	2.7A		
125	2.4A				

- Output voltage is customer specified, together with any special options / features.

# HBC419 SERIES

AC/ DC Power Supplies: 500 Watts



## Features

- Plug-in ( Eurocard ) module 500 watts
- Convection cooled: No fans
- Rugged, industrial quality design
- Over voltage protection
- Overload and short circuit protection
- MTBF > 140,000hrs
- Specials output voltage options
- Any output from 24 ~ 125vdc possible
- **N+1** Redundancy Applications – option
- Output DC Fail alarm -Option
- Battery Charging applications - Option

## General Specifications

<b>Input Voltage</b>	115 /230VAC ( ±15% ) Selection by internal link ( set for 240VAC ) Other voltages on request
<b>Frequency</b>	47 – 63Hz
<b>Input Protection</b>	Inrush current limiting Varistor Internal safety fuse
<b>Isolation</b>	Input - Output 4300vdc Input – Chassis 2250vdc Output – Chassis 500vdc
<b>Efficiency</b>	Model dependent , typically 80%
<b>Output voltage</b>	24 ~ 125V options
<b>Output Power</b>	500 watts
<b>Parallel Operation</b>	Optional
<b>Voltage adjustment</b>	Customer specified, typically 5%
<b>Regulation</b>	Output voltage dependant Typically: ±3-5%
<b>Output Protection</b>	Over voltage protection Constant Current limiting & short circuit protection
<b>EMI</b>	EN55022 class A
<b>Immunity</b>	EN61000-4
<b>Shock &amp; Vibration</b>	Designed to meet IEC61373 Cat 1 A & B
<b>Operating Temp.</b>	0°C to +50°C at full load. +70°C at 50% load.
<b>Cooling</b>	Convection cooled
<b>Dimensions</b>	4U x 16HP x 305mm Eurocard 3.0kg

## Description

The **HBC419** Series Industrial AC/DC power supplies, is mainly intended for use with 19in Rack Systems, where Plug-in modules offer the flexibility to replace modules, while the system is operational.

Cooling is by natural convection for optimum performance...no fans and best suited to industrial applications, where reliability of the system is paramount.

Optional ruggedizing & conformal coating is available, for immunity to shock, vibration, humidity, moisture, dust and insects.

In addition, a range of options are available, allowing customers total flexibility to specify a unit that is specific to their application.

## Options

<b>Output Voltage</b>	Special voltage output, up to 125VDC
<b>Alarm</b>	Voltage Free contacts
<b>N+1 Redundancy</b>	Output redundancy diode for parallel operation
<b>Rack mount</b>	Various 19in Rack mount options

## Part No Configuration:

**HBC419-E/48-EH ( 240VAC / 48V 500W )**

Series / Power	Input V	Output V /A		EH	Options
<b>HBC419</b>	<b>E</b> = 240VAC	24	20A	<b>EH</b> = Eurocard	Factory Assigned No.
		28	17A		
		30	10A		
		48	10A		
		55	9A		
		60	8.3A		
		72	6.9A		
		110	4.5A		
125	4A				

- Output voltage is customer specified, together with any special options / features.