

BX SERIES

Battery Chargers: 140 ~ 1000 Watts



Features

- Universal input: 90 ~ 264VAC with PFC
- AC input via IEC socket
- Low profile 52mm
- 1U x 19in Rack mount assembly - option
- 12 ~ 120vdc output options
- Build-in Redundancy diodes for **N+1** applications
- High efficiency 88%
- Power Fail & Battery Low alarms
- DC OK LED front panel
- EN60950 safety approved modules
- Suitable for use as a combined power supply and **Battery Charger** in high-end DC Back Up systems

Output Voltage	12 ~ 120vdc options, see table
Voltage Adjustment	Each internal module adjustable $\pm 15\%$
Output Power	140 ~ 1000 watts
Line Regulation	$\pm 0.2\%$
Load Regulation	$\pm 0.5\%$ 25-75% load step
Ripple & Noise	1.0% maximum of Vout pk-pk
Minimum Load	Units can operate with zero load
Parallel Operation	For N+1 Redundancy applications, built-in isolation diode.
Overload Protection	Constant current limiting with auto recovery set at approx 105~120% of rating
Overvoltage Protection	1 st Level: V set tracking, 2 nd Level: V maximum latching. Recycle input to restart
Cooling	Internal fans (front to back)
Humidity	5 ~ 90% RH non-condensing
Safety	UL60950, EN60950 (Modules)
Isolation	Input-Output: 3000VAC Input-Chassis: 1500VAC Output-Chassis: 500VDC
Connectors	Input: IEC 320 socket DC Output & Alarms: Screw Terminals
Alarms	<ul style="list-style-type: none">• Power Fail / DC Fail (voltage free contacts)• Battery Low (voltage free contacts)
Meters	Optional on Rack Mount Units. Add code "M" to model.
Dimensions	BX200-BX400: 344 x 110 x 52mm 1.9-2.5kg BX600-BX1000: 344 x 153 x 52mm 2.5-3.2kg
Rack - Option	1U x 19in x 335mm 3-4kg

Specifications:

Input Voltage	90 ~ 264VAC (120~360VDC)
Frequency	47-63Hz
Leakage Current	1.5mA at 230VAC
Power Factor	0.98 at nominal input
Lockout Voltage	Unit will shutdown at low input approx 80VAC. Recycle input power to re-start
Turn On Delay	Approximately 300ms
Rise Time	Typically 5ms
Efficiency	Model dependent 83~88%
Immunity	EN61000-4-2, -3, -4, -5, -6, -11
EMC	EN55022 Level B Conducted & Radiated
Inhibit / Enable	Contact office for details - option

BX SERIES

Battery Chargers: 140 ~ 1000 Watts

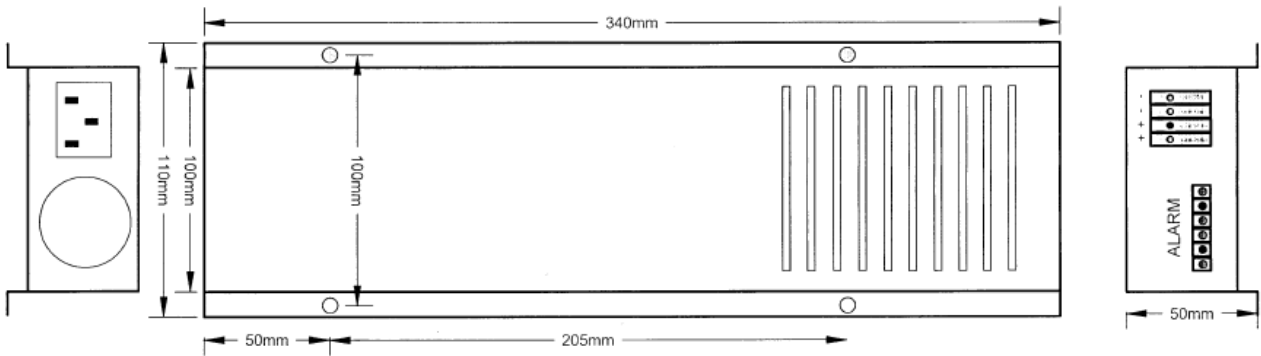
Model	Output			Power W	Case
	Nom V	Float V	A		
BX200-12	12V	13.8V	10A	140W	4 Slot
BX400-12	12V	13.8V	18A	240W	4 Slot
BX200-24	24V	27.0V	5A	130W	4 Slot
BX400-24	24V	27.0V	9A	240W	4 Slot
BX600-24	24V	27.0V	18A	490W	4 Slot
BX600-36	36V	41.0V	10A	400W	4 Slot
BX1000-36	36V	41.0V	17A	690W	6 Slot

- For rack mount replace B with "R": **RX600-24**
- For rack mount with meters add "M" to model. **RX600-24M**

Model	Output			Power W	Case
	Nom V	Float V	A		
BX400-48	48V	54V	5A	270W	4 Slot
BX600-48	48V	54V	9A	480W	4 Slot
BX1000-48	48V	54V	15A	810W	6 Slot
BX700-96	96V	108V	5A	540W	6 Slot
BX1000-96	96V	108V	9A	970W	6 Slot
BX1000-110	108V	121V	6A	720W	6 Slot
BX1200-110	108V	121V	8A	970W	6 slot

- For rack mount replace B with "R": **RX600-24**
- For rack mount with meters add "M" to model. **RX600-24M**

4 Slot Case



6 Slot Case

