

SWS600HV SERIES

AC / DC Single Output: 600 Watts



CVgc`YhY`

Features

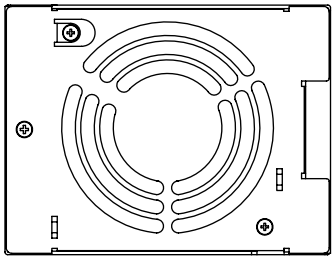
- Universal input 85 - 264VAC
- High output voltage 120VDC
- 600 watts power
- Output voltage adjustment
- Short circuit and OVP protection
- Harmonic correction EN61000-3-2
- Power Factor 0.95
- EMC EN55022, Immunity to EN61000-4
- Input – Output isolation
- High quality design
- Suitable for battery charging applications
- 19in Rack mount option.

General Specifications

| | |
|------------------------------------|--|
| Input Voltage | 85 ~ 264VAC, 120~370VDC |
| Frequency | 47 ~ 63Hz |
| Input Current | 7.2A / 3.6A (115 / 230VAC) |
| Power Factor | 0.95 |
| Harmonics | EN61000-3-2 |
| Output voltage | 120VDC |
| Output Power | 600 watts |
| Voltage adjustment | See table, front panel trim pot |
| Ripple & Noise | 1.2V pk-pk |
| Overload Protection | Constant current limiting with auto recovery |
| Over Voltage Protection | Output shutdown, manual reset by recycling input power after 30 sec. |
| Over Temperature Protection | Output shutdown, manual reset by recycling input power after 30 sec. |
| Line Regulation | 480mV |
| Load Regulation | 720mV |
| Hold-Up Time | Typically 20ms |

| | |
|-------------------------------|--|
| Remote Sense | YES |
| Remote ON / OFF | Yes (CNT – TOG) |
| Output Fail Signal | PF-TOG (Open Collector) |
| Output Current Monitor | CS to –S (0~5V for output current 0-5A) |
| Indicator | Front panel LED |
| EMI | EN55011 & EN55022-A |
| Immunity | EN61000-4 |
| Isolation | Input – Output: 3000VAC Input – FG: 2000VAC Output – FG: 1000VAC |
| Parallel Operation | NO |
| Operating Temp | -0°C to +50°C at 100% load, 50% at 70°C |
| Cooling | Built-in fan |
| Connector | Screw terminals |
| Dimensions | SWS600HV: 216 x 120 x 92mm 2kg (W x D x H) |

| Model | Output V A | Voltage Range | Power W |
|--------------|---------------|---------------|------------|
| SWS600HV-120 | 120V 5A | 108 ~ 130V | 600W |



DETAIL OF CAUTION SEAL

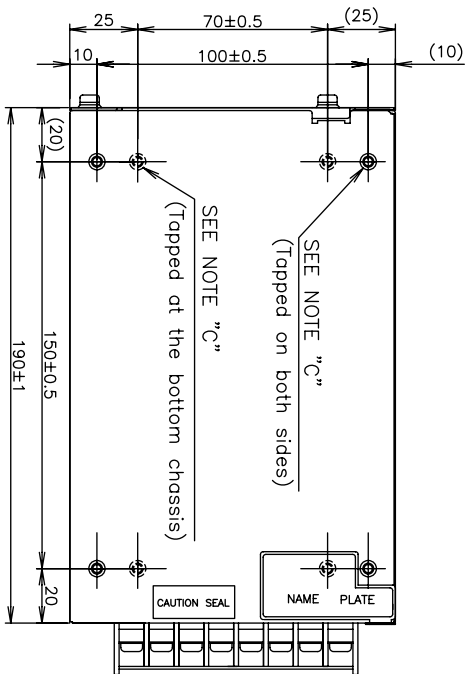


ELECTRIC SHOCK HAZARDOUS ON THE CONNECTORS

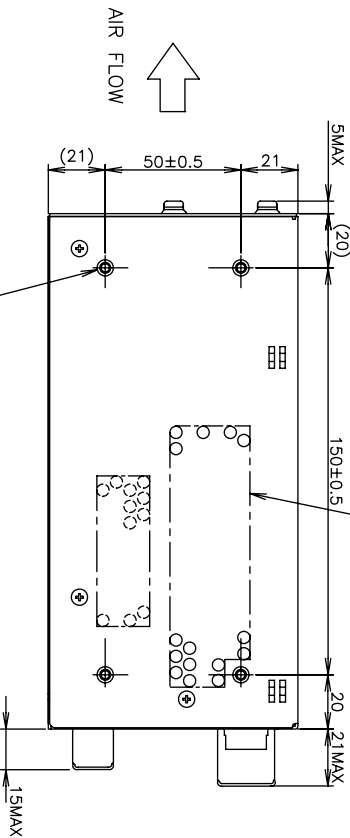
*Caution: This power supply delivers hazardous output voltage. All outputs(including control signals) are considered as hazardous secondary voltage. These outputs need to be protected so that inadvertent contact by a service person cannot occur. Output circuits must be protected from the operator by reinforced insulation in accordance with EN60950.

===== ACCESSORIES =====

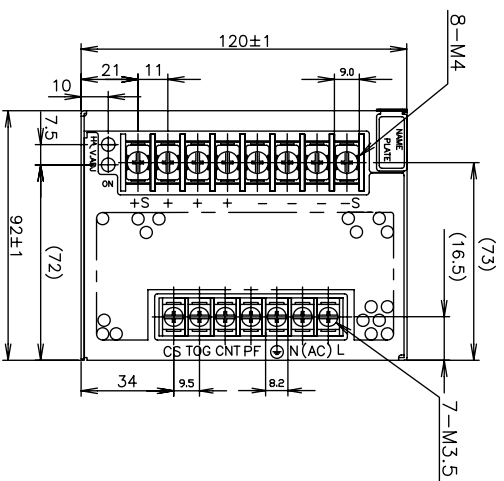
- * Cover for barrier terminal strip ----- 2
(Mounted on terminal strip at time of shipment)
- * Metal piece for shorting "TOG" & "CNT" ----- 1
(Mounted on terminal strip at time of shipment)
- * Metal piece for shorting "+S" & "+", "-S" & "-" ----- 2
(Mounted on terminal strip at time of shipment)



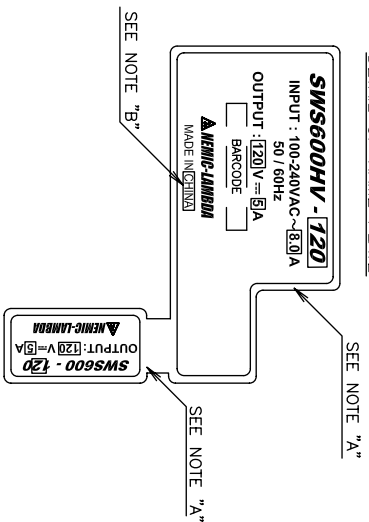
Holes at the opposite chassis



TENTATIVE



DETAIL OF NAME PLATE



- ==== NOTES =====
- A: Model name, nominal output voltage and maximum output current are shown here in accordance with the specifications.
 - B: Country of manufacture will be shown here.
 - C: M4 tapped holes (20) for customer chassis mounting.
(Screws must not protrude into power supply)
by more than 6m/m.



SCALE 1/2 MATERIALS SWS600HV-120

UNITS m/m FINISH OUTLINE DRAWING

3RD ANGLE PROJECTION DRAWING No. XCA750-02-01-

DENSEI-LAMBDA

| D REV | -XI | NEW RELEASE | CONTENTS | DATE | ENGR | CHK | APPD |
|-------|-----|-------------|----------|------------|---------|-------|-------|
| | | | | 07.Apr.'05 | MinFeng | KEVIN | KT.NG |